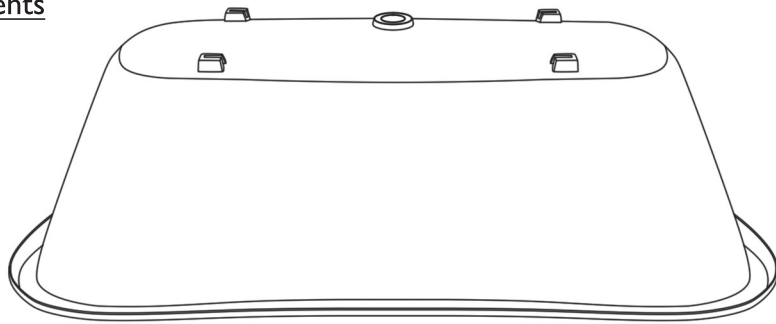




HURLINGHAM
The Bath Company

Bath Feet Fitting Guide
The Wilmot

Contents



Bath Body



Bath Feet (x4)



Bolt (x4)



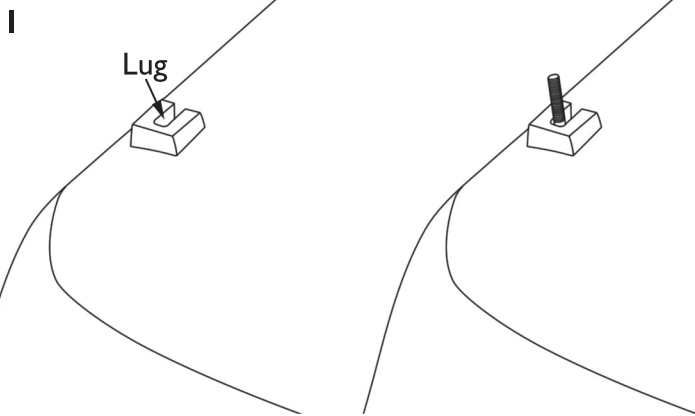
Nut (x4)



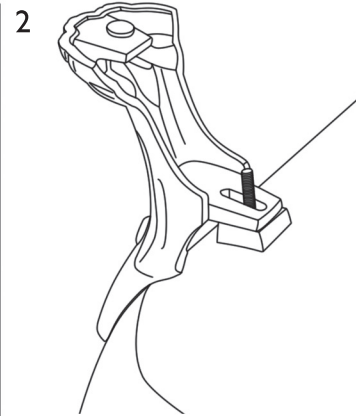
Spiral Washer (x4)



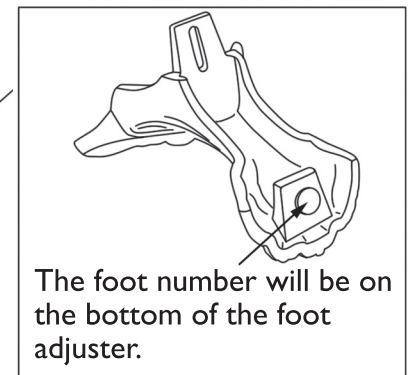
Washer (x4)



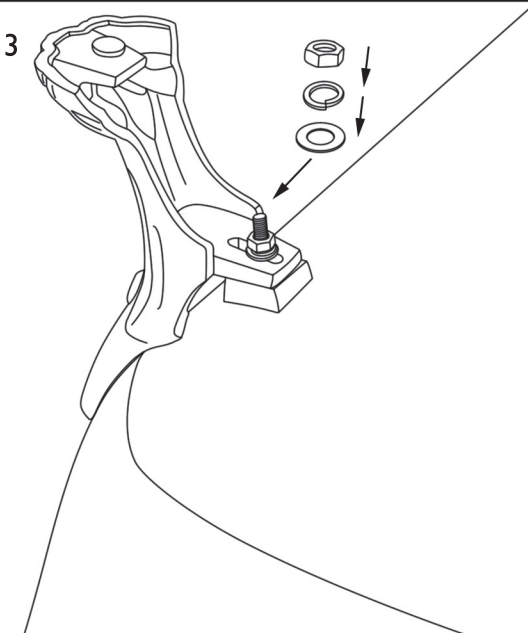
1
Insert bolt, head down, into the first lug.
Please note: the lugs are numbered from 1 to 4, these will correspond to the feet which are also numbered 1 to 4.



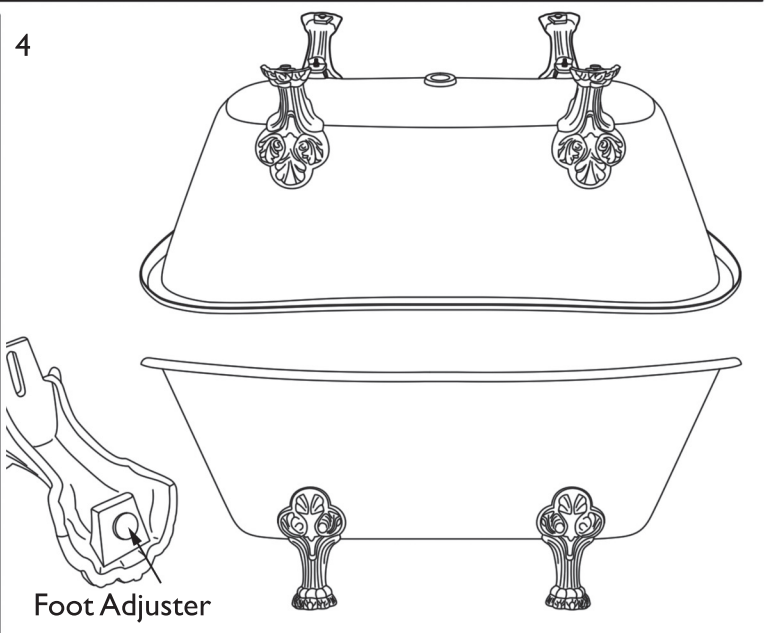
2
Place foot over bolt - the number on the foot must match the number on the lug. When placing the foot on the bath, match it to the contour of the bath and take care not to scratch paint on the bath body.



The foot number will be on the bottom of the foot adjuster.



3
To secure the foot to the bath body, place the washer followed by the spring washer and nut over the bolt and then tighten the nut with a spanner. Steps 1 to 3 should then be repeated for the remaining 3 feet - remember to match the correct numbers.



4
Once all feet are securely attached, the bath can be turned over. The bath is heavy, so adequate manpower is required to avoid injury. If the bath is on uneven ground, the foot adjusters can be turned to stabilise the bath.

Foot Adjuster